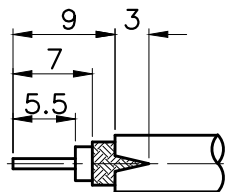


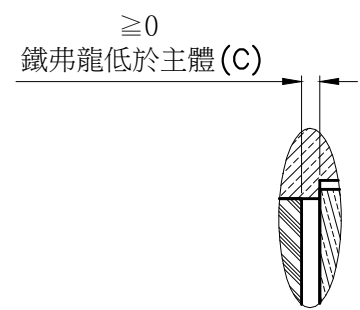
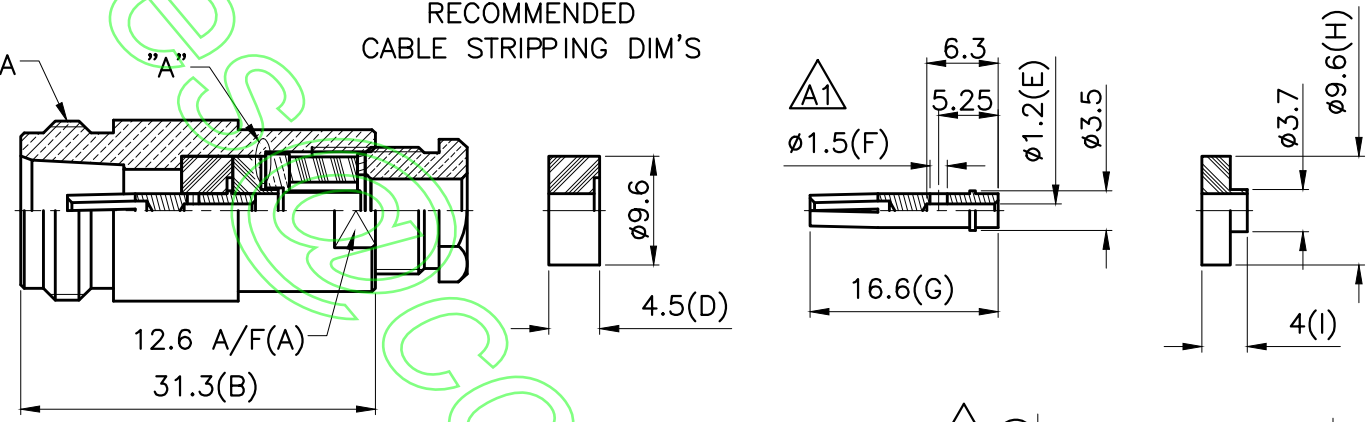
| | |
|-----|--------------------|
| ISS | REVISIONS |
| | DESCRIPTION \ DATE |

RoHS COMPLIANT

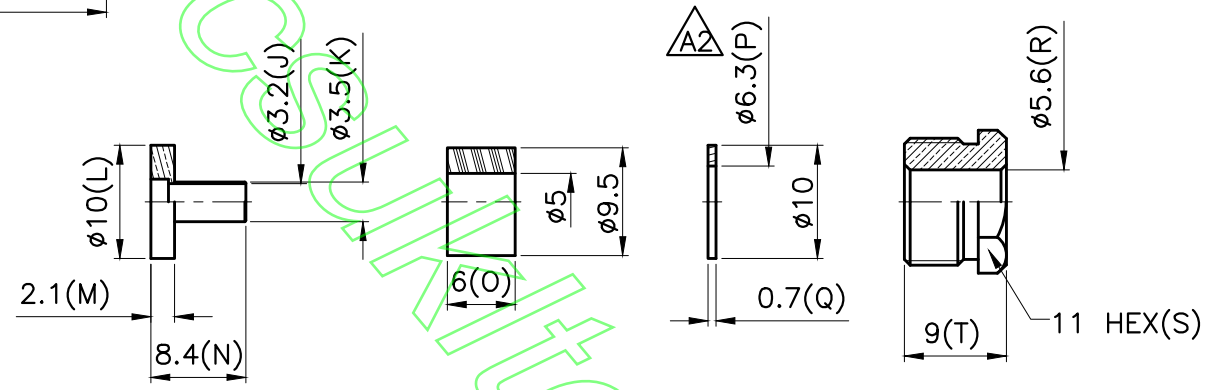


RECOMMENDED CABLE STRIPPING DIM'S

5/8-24UNEF-2A



A VIEW



TITLE: N FEMALE CLAMP
(FOR RG58, RG223, RG400, RG142)

PART NO: NJSC5801

DR. NO: 030

| | | | | |
|-----------------|--|-----------------|-----------------|--------|
| APRD: | UNLESS OTHERWISE SPECIFIED TOLERANCES 0.5-6 = ±0.2 >6-30 = ±0.4 >30-120 = ±0.6 >120-315 = ±1 >315-1000 = ±1.6 ANGLES = ±5° | NUT | BRASS | NICKEL |
| CHKD: | | WASHER | BRASS | NICKEL |
| DR: | | GASKET | SILICONE | WHITE |
| DATE: 04/02/12" | UNIT: mm | TOP HAT | BRASS | NICKEL |
| SHEET: . | SCALE: 1.5/1 | INSULATOR | TEFLON | WHITE |
| | | CONTACT PIN | PHOSPHOR BRONZE | GOLD |
| | | INSULATOR | TEFLON | WHITE |
| | | BODY | BRASS | NICKEL |
| | | NO. DESCRIPTION | MATERIAL | FINISH |